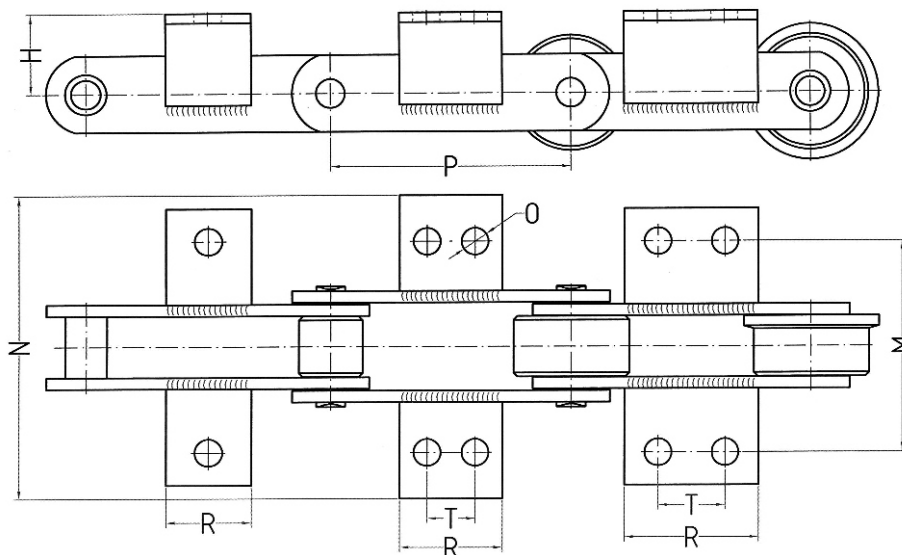


DIN 8167

ISO mm.	P mm.					B mm.	C mm.	D1 mm.	D2 mm.	D3 mm.	e mm.	G mm.	S mm.	D mm.	E mm.	mm. ²	ΔdaN	
	40	50	63	80	100													
M-20	40	50	63	80	100	125	16	9.0	12.5	25	30	3.0	18	2.5	6.0	31	126	2000
M-28	50	63	80	100	125	160	18	10.0	15.0	30	36	3.5	20	3.0	7.0	35	169	2800
M-40	63	80	100	125	160	200	20	12.5	18.0	36	42	4.0	25	3.5	8.5	41	229	4000
M-56	63	80	100	125	160	200	24	15.0	21.0	42	50	4.5	30	4.0	10.0	46	321	5600
M-80	80	100	125	160	200	250	28	18.0	25.0	50	60	5.0	35	5.0	12.0	55	464	8000
M-112	80	100	125	160	200	250	32	21.0	30.0	60	70	6.0	40	6.0	15.0	64	670	11200
M-160	100	125	160	200	250	315	37	25.0	36.0	70	85	7.5	50	7.0	18.0	74	930	16000
M-224	125	160	200	250	315	400	43	30.0	42.0	85	100	9.0	60	8.0	21.0	65	1254	22400
M-315	160	200	250	315	400	500	48	36.0	50.0	100	120	10.0	70	10.0	25.0	100	1730	31500
M-450	200	250	315	400	500	630	56	42.0	60.0	120	142	12.0	80	12.0	30.0	118	2436	45000
M-630	250	315	400	500	630	800	66	50.0	70.0	140	170	14.0	100	14.0	36.0	138	3436	63000
M-900	250	315	400	500	630	800	78	60.0	85.0	170	120	16.0	120	16.0	44.0	160	4905	90000



DIN 8167

ISO	H	M	N	O	P	R	P	T	R	P	T	R	P	T	R
mm.	mm.	mm.	mm.	mm.	mm.	mm.	mm.	mm.	mm.	mm.	mm.	mm.	mm.	mm.	mm.
M-20	16	54	78	6.6	50	20	63	20	40	80	35	55	100	50	70
M-28	20	64	92	9.0	63	25	80	25	50	100	40	65	125	65	90
M-40	25	70	108	9.0	63	25	80	20	45	100	40	65	125	65	90
M-56	30	88	132	11.0	80	30	100	25	55	125	50	80	160	85	115
M-80	35	96	140	11.0	100	30	125	50	80	160	85	115	200	100	155
M-112	40	110	158	14.0	100	40	125	35	70	160	65	105	200	125	140
M-160	45	124	188	14.0	125	40	160	50	90	200	85	125	250	145	185
M-224	55	140	218	18.0	160	55	200	65	120	250	125	180	315	190	245
M-315	65	160	252	18.0	160	55	200	50	105	250	100	155	315	155	210
M-450	75	180	288	18.0	200	55	250	85	140	315	155	210	400	240	295
M-630	90	230	326	24.0	250	70	315	100	170	400	190	260	500	300	370
M-900	110	280	446	30.0	250	90	315	65	155	400	155	245	500	240	330