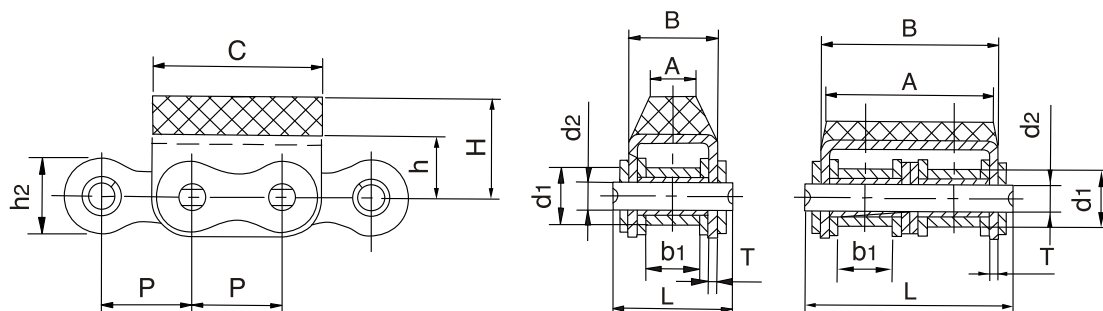




TIPO G-1

TIPO G-2



DIN/ISO	P mm.	d1 máx mm.	b1 mín mm.	d2 máx mm.	L máx mm.	h2 máx mm.	A mm.	B mm.	C mm.	h mm.	H mm.	T mm.	Q mín. kN	q kg./m.
08B-G1	12.70	8.51	7.75	4.45	20.0	11.8	12.0	14.6	24.2	8.3	12.3	1.60	18.0	1.19
08B-G2	12.70	8.51	7.75	4.45	34.3	11.8	24.0	28.4	24.2	8.3	12.3	1.50	32.0	2.07
10B-G1	15.875	10.16	9.65	5.08	23.2	14.7	13.5	16.8	30.0	11.3	17.0	1.70	22.4	1.62
10B-G2	15.875	10.16	9.65	5.08	39.7	14.7	33.1	33.3	30.0	11.3	17.0	1.70	44.5	2.56
12B-G1	19.05	12.07	11.68	5.72	25.7	16.0	10.0	19.6	36.0	13.0	21.0	1.85	29.0	2.01
12B-G2	19.05	12.07	11.68	5.72	45.3	16.0	39.1	39.3	36.0	12.0	16.0	1.85	57.8	3.21
16A-G1	25.40	15.88	15.75	7.92	37.2	24.0	23.6	27.5	46.0	16.0	20.0	2.42	42.0	3.97
20B-G1	31.75	19.05	19.56	10.19	48.0	26.4	30.0	36.0	57.0	21.0	27.0	3.50	66.5	6.19
24B-G1	38.10	25.40	25.40	14.63	61.6	33.2	44.0	47.0	72.6	28.0	34.0	4.50	112.0	11.85